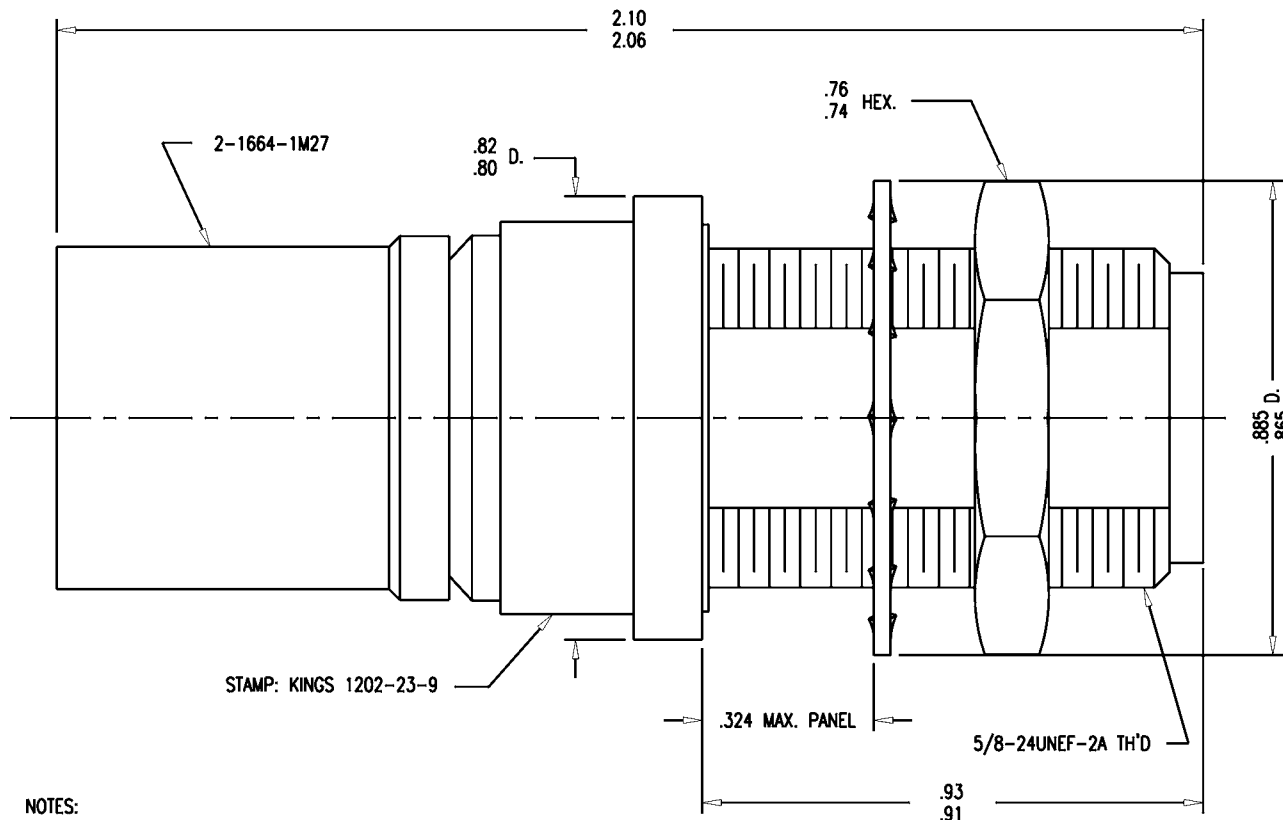
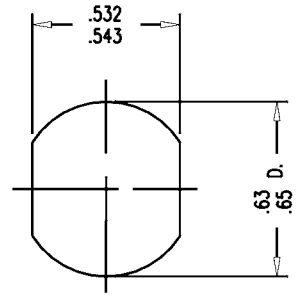


GSD



NOTES:

1. FOR USE WITH BOEING S280W503-6 & ADAMS RUSSELL FC48Z CABLE.
2. FOR CABLING INSTRUCTIONS SEE 3-546-2.
3. FOR CRIMPING USE DIE KTH-2229.
4. INTERFACE PER MIL-STD-348, FIG. 304-2.
5. CENTER CONTACT (1-7272-1MA9) SUPPLIED UNASSEMBLED.
6. MARK PACKAGE: KINGS 1202-23-9
XXXX (DATE CODE)
7. MATERIALS:
INSULATOR-TEFLON, ASTM-D-4894
LOCKWASHER-PHOS. BRONZE, QQ-B-750
CENTER CONTACT-BER. COP., ASTM-B-196
K-GRIP SLEEVE-COM. BRONZE, ASTM-B-135
GASKET-SILICONE RUBBER, ZZ-R-765
ALL OTHER METAL PARTS-BRASS, ASTM-B16
8. FINISHES:
CENTER CONTACT-GOLD PLATE PER MIL-G-45204
ALL OTHER METAL PARTS-KINGS TARNISH RESISTANT FINISH (TR-5)
9. ELECTRICAL CHARACTERISTICS:
NOMINAL IMPEDANCE-50 OHMS
FREQUENCY RANGE-DC TO 11 GHZ
WORKING VOLTAGE-1000 VRMS



GSD

1202-23-9

| REVISIONS | |
|---|-------------------------|
| ISSUE | CHANGES |
| 0 | ER 35535 KH 04/18/94 |
| KAM3637 | |
| SCALE 4:1 | |
| APPROX SURFACE AREA | |
| WAS: E-18300 | |
| USED ON | |
| REF: BOEING | |
| JACK, BULKHEAD, N | |
| DRAWN KH | DATE 04/08/94 |
| DESIGN JT | DATE 04/11/94 |
| APPR. | DATE |
| KINGS ELECTRONICS CO., INC. TUCKAHOE, NEW YORK 10707 | |
| 1202-23-9 | |